

Model 690

**Electronic Lube Meter
Pistol Grip Type**

Technical Brief

GENERAL

The Badger® electronic lube meter is designed specifically to dispense motor oils (S.A.E. 5-50), gear oils (S.A.E. 80-240), automatic transmission fluid, and antifreeze (Ethylene Glycol) solution. Perfect balance, lightweight ruggedness, and comfortable grip make it the best choice for overhead reel systems.

The electronic register module contains a microprocessor board powered by a lithium battery with an expected life of 3 to 5 years, depending on use. It is programmed to dispense only in pints, quarts, liters, or gallons and will totalize in liters or gallons. A calibration factor and unit of measure are programmed during factory test. Unlike mechanical meters, these units can be electronically recalibrated in the field when necessary. A 5-digit liquid crystal display, accurate to the second decimal place, shows the exact amount of fluid dispensed. The entire register module is protected from the wear and tear of normal shop use by a rugged, glass-filled, shock-resistant nylon housing.

As fluid passes through the metering chamber by entering the inlet port, it displaces the piston and exits through the outlet port. Each oscillation of the piston displaces a given volume of fluid. Controlled clearances between the piston and chamber wall insure minimum leakage. As the piston oscillates, its center hub rotates a magnet which activates the microprocessor.

The display shows the amount of fluid dispensed since the last time the reset button was pushed. Pushing the reset button will reset the display to zero for the next dispense.

Pushing and holding the total button will display the total amount of fluid dispensed through the meter over its life.

The unit of measure can be changed using the Total and Reset buttons on the front of the meter. To change the unit of measure, press and release the Total button 3 times and then press and release the Reset button 3 times. Then wait 2 seconds and the unit of measure will flash. Push the Reset button to select the desired unit of measure. To save the unit of measure, push the Total button and the display will flash 3 times and then go blank, the new unit of measure setting has now been saved. Push the Reset button to bring the display back on.



- 1500 PSI rating
- 1/2" Threads (NPT or BSP Available)
- Large LCD Display with Two Decimal Point Precision
- Dispenses in Pints, Quarts, Liters, or Gallons
- Totalization in Gallons or Liters
- Accuracy to $\pm 0.5\%$
- Push Button Calibration
- Low Battery Indicator
- Field Replaceable Battery
- Scale Factor Saved in Non-Volatile Memory
- Total Dispense Saved in Non-Volatile Memory

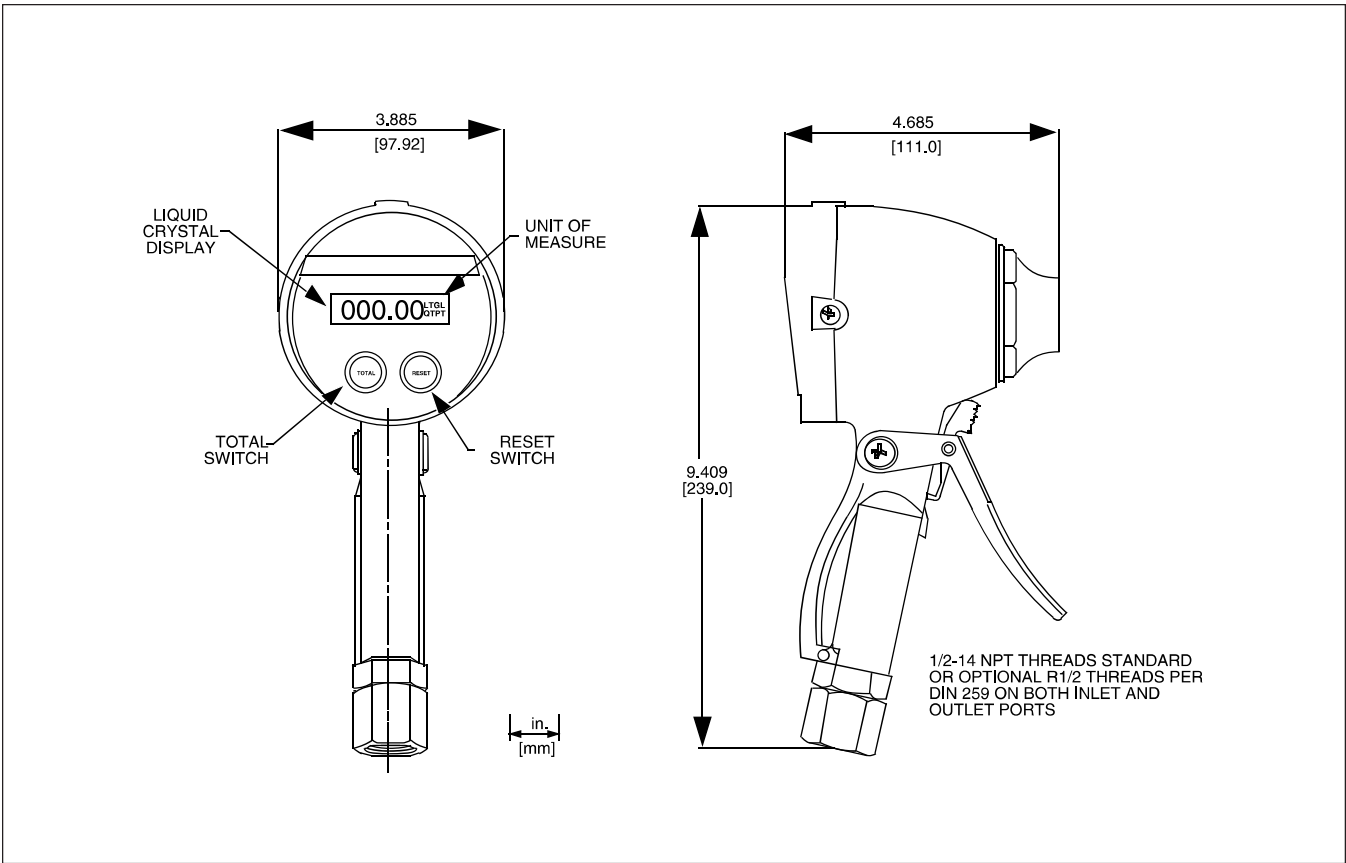
Badger® is a registered trademark of Badger Meter, Inc.



BadgerMeter, Inc.

ITB-058-04

3-09



Maximum Flow*	5 gpm	19 liters/minute
Minimum Flow*	0.25 gpm	0.95 liters/minute
Operating Pressure (Maximum)	1500 psi	100 bar
Operating Pressure (Minimum)	5 psi	.35 bar
Operating Temperature (Maximum)	110° F	45° C
Operating Temperature (Minimum)	-10° F	-20° C
Accuracy	± 0.5%	± 0.5%
Weight	3 lbs.	1.36 Kg.
Inlet and Outlet Connections	1/2" NPTF	1/2" BSPP



Please see our website at
www.badgermeter.com
 for specific contacts.

Due to continuous research, product improvements and enhancements, Badger Meter reserves the right to change product or system specifications without notice, except to the extent an outstanding contractual obligation exists.



BadgerMeter, Inc.

P.O. Box 245036, Milwaukee, WI 53224-9536
 Telephone: (414) 355-0400 / (800) 456-5023
 Fax: (414) 355-7499 / (866) 613-9305
www.badgermeter.com